

# eva solo



**Quay pendant** Ø 22 cm H 15 cm

### Care and maintenance

Keeping the product in a good condition prolongs its lifespan. Avoid unnecessary damage by following the guide below. Always clean the product with a dry cloth, while the electricity is turned off. If the electric cord is damaged in anyway it must be replaced immediately by an authorised electrician or the manufacturer to avoid any danger affiliated with the defect.

### Technical details

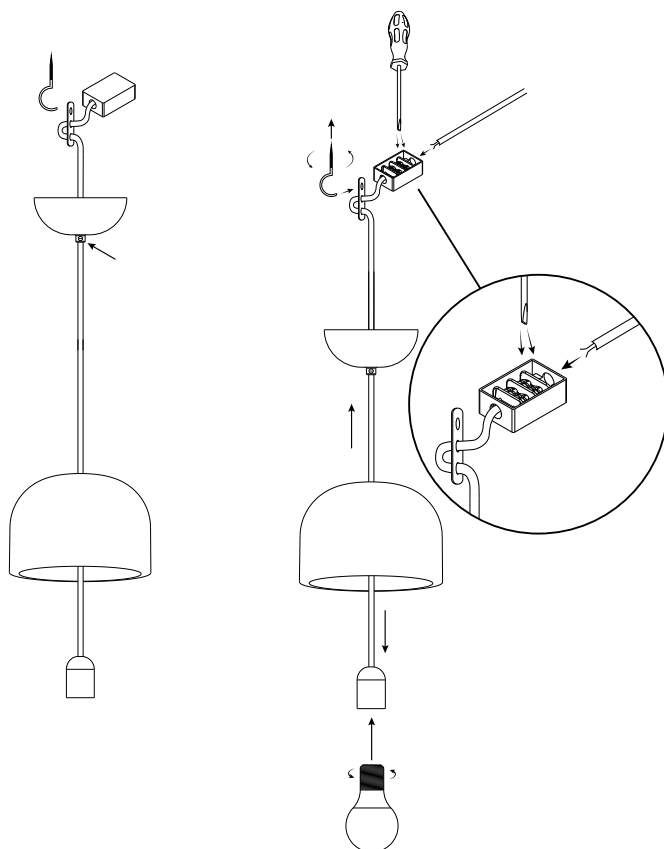
Cable: 3 m textile cable

Light source: E27 1 x max. 25W

Incl. bulb: No

Material: Matt powder coated steel shade and textile cable

Voltage: 220-240V, 50-60 HZ



After assembling the wire to the outlet, move the canopy to the ceiling and fasten the relief-screw.

### Warranty

Eva Solo A/S guarantees that its products are free from manufacturing defects. The warranty covers materials and manufacturing defects, but not problems arising from incorrect use or natural wear and tear.

### Complaints

Right of complaint in accordance with applicable legislation. No right of complaint in the case of damage caused by using the patio heater in any way other than for its intended use, or caused by incorrect handling, normal wear, inadequate or incorrect maintenance or incorrect repairs as well as tampering with the patio heater by unauthorised persons. Remember to retain the receipt/invoice as it must be produced in the event of a complaint. Please contact the shop where the product was purchased. Errors and omissions excepted.

### Disposal

This appliance is labelled in accordance with the European Waste Electrical and Electronic Equipment Directive 2002/96/EC. Under current legislation, waste electrical and electronic equipment (WEEE) must be collected and parts of the products must be recycled. Electrical and electronic equipment carrying the WEEE label must be taken to a municipal recycling centre. Electrical and electronic equipment (EEE) contains materials, components and substances which may be hazardous to human health and the environment if the WEEE waste is not disposed of correctly. Electrical and electronic products carry the crossed-out wheellie bin label. The crossed-out wheellie bin symbol means that WEEE waste must not be disposed of together with general unsorted household waste, but must be collected separately. For this purpose, municipalities have established collection schemes where waste electrical and electronic equipment may be taken free of charge by citizens to household waste recycling centres or approved/authorised treatment facilities (AATFs) – or collected directly from households.

For more information, contact your local authority's environment and planning department. Users of electrical and electronic equipment must not dispose of WEEE waste with their normal household waste. They must use the local collection schemes to reduce the impact on the environment from the disposal of WEEE waste and increase the recycling and reuse of WEEE waste.



### Eva Solo A/S

Måløv Teknikerby 18-20

2760 Måløv

Denmark

Tel.: +45 36 73 20 60

[www.evasolo.com](http://www.evasolo.com)

Design by  
**eva solo**



**eva solo**

[www.evasolo.com](http://www.evasolo.com)