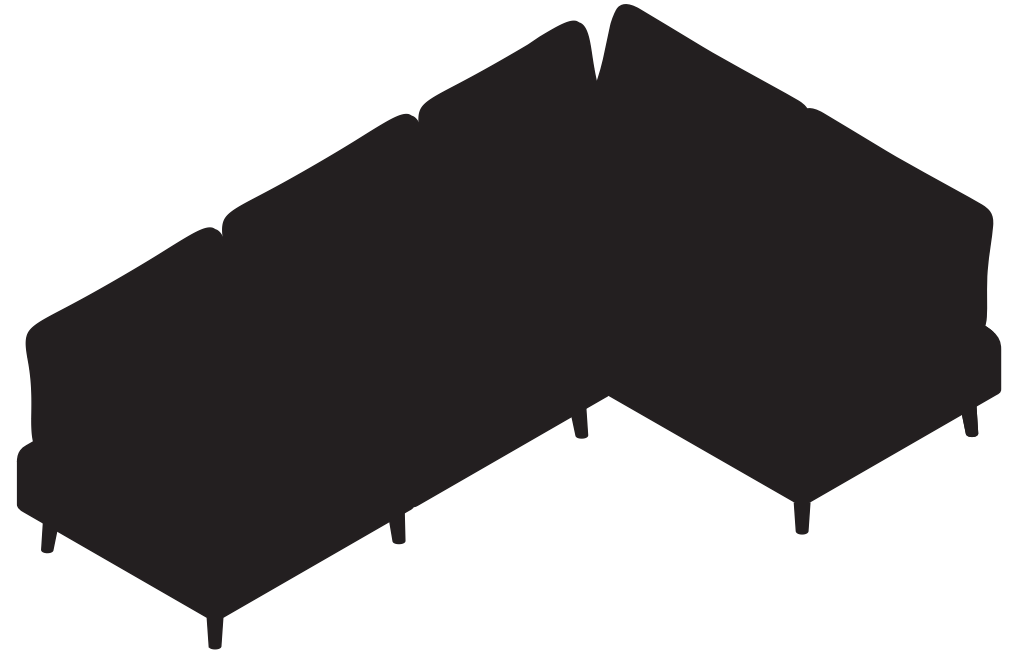
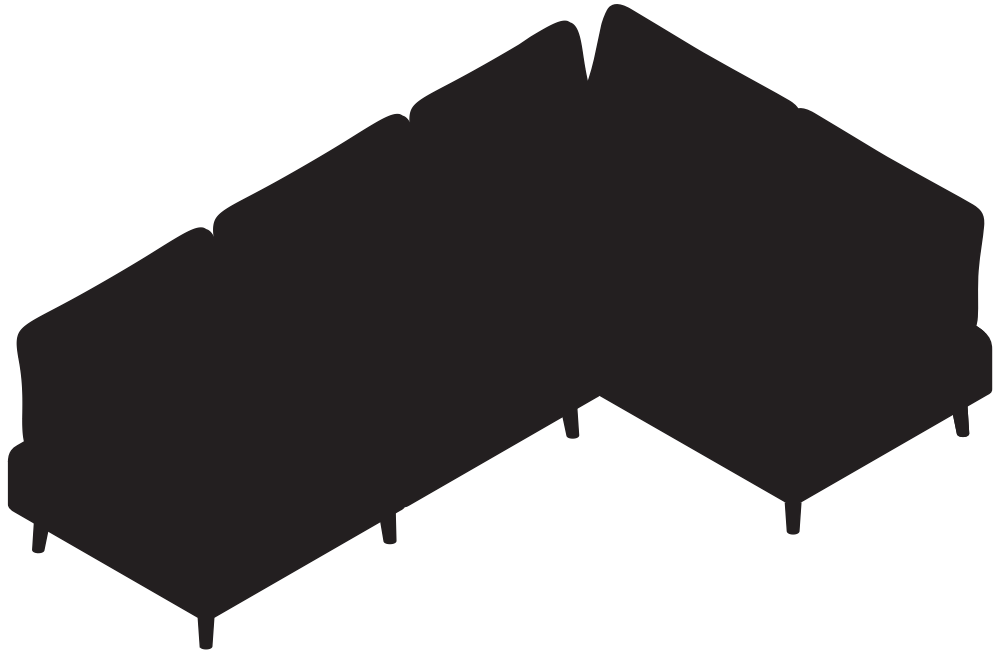




Design by Tools®
Claus Jensen & Henrik Holbæk

eva solo



eva solo
www.evasolo.com

Yoga modular sofa

Care and maintenance

Keeping the product in a good condition prolongs its lifespan.

Avoid unnecessary damage by following the guide below.

- Remove stains immediately to avoid permanent damage of the surface.
- Place the product in a humidity and temperature stable environment, avoiding direct sunlight.
- Avoid using sharp or hard objects on the product, as they might scratch or damage the surface.
- Avoid pushing or pulling the product, when moving it, as this might damage the floor and the product.
- Avoid tilting the sofa onto two legs.
- Avoid standing in the sofa.
- Avoid sitting on the back or the armrest of the sofa.
- Avoid placing heavy objects on the product as it may damage the upholstery.

Upholstery

Wipe with a moist clean cloth wrung in water or in a solution of mild soap and water. Remove any residue immediately using a clean dry cloth. Avoid using scouring cream or scouring pads on the surface, as they might damage the surface. We recommend using furniture care products from Guardian.

Aluminium legs

Wipe with a moist clean cloth wrung in water or in a solution of mild soap and water. Remove any residue immediately using a clean dry cloth. Avoid using scouring cream or scouring pads on the surface, as they might scratch or damage the surface.

Warranty

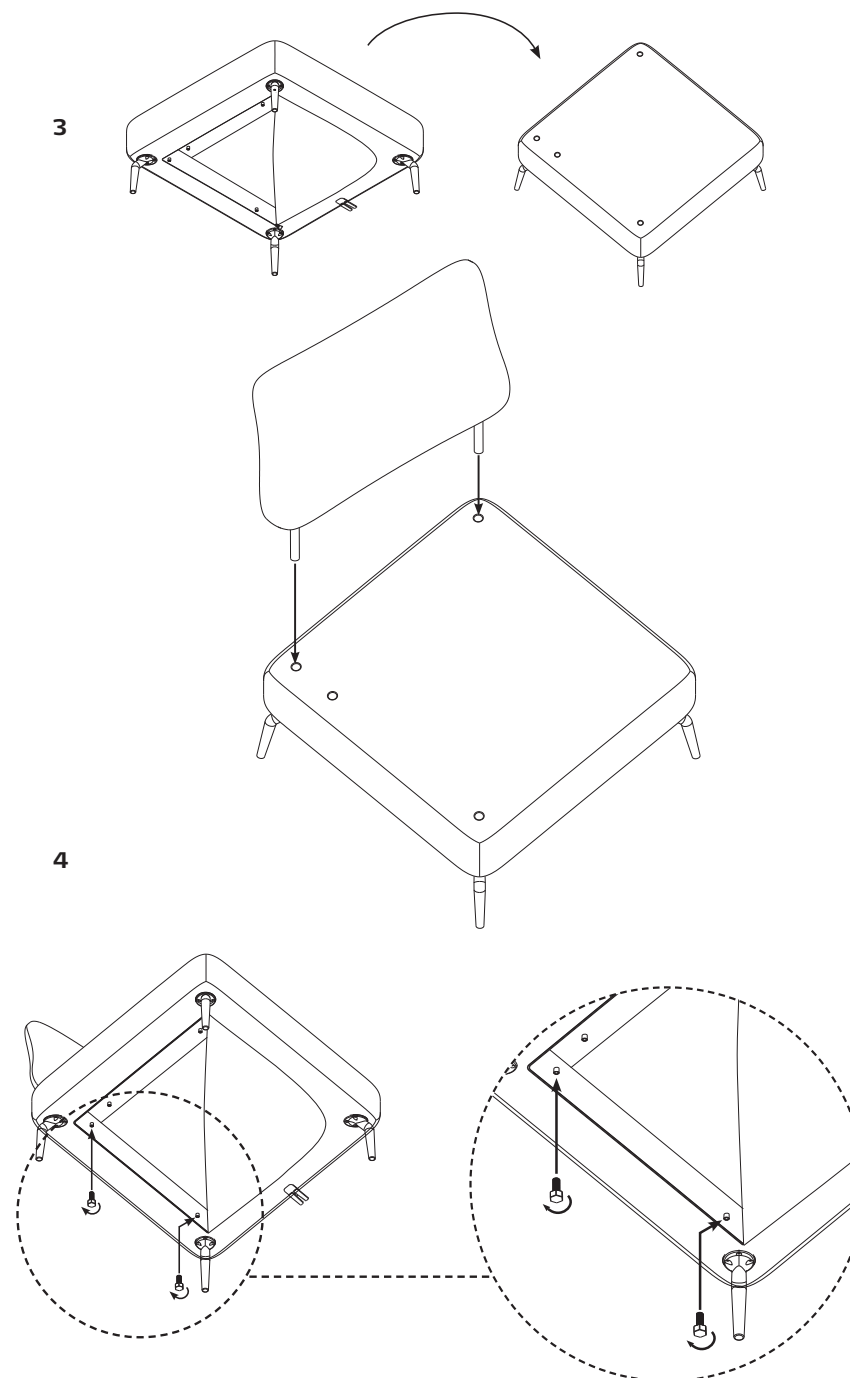
Eva Solo A/S guarantees that its products are free from manufacturing defects. The warranty covers materials and manufacturing defects, but not problems arising from incorrect use or natural wear and tear.

Complaints

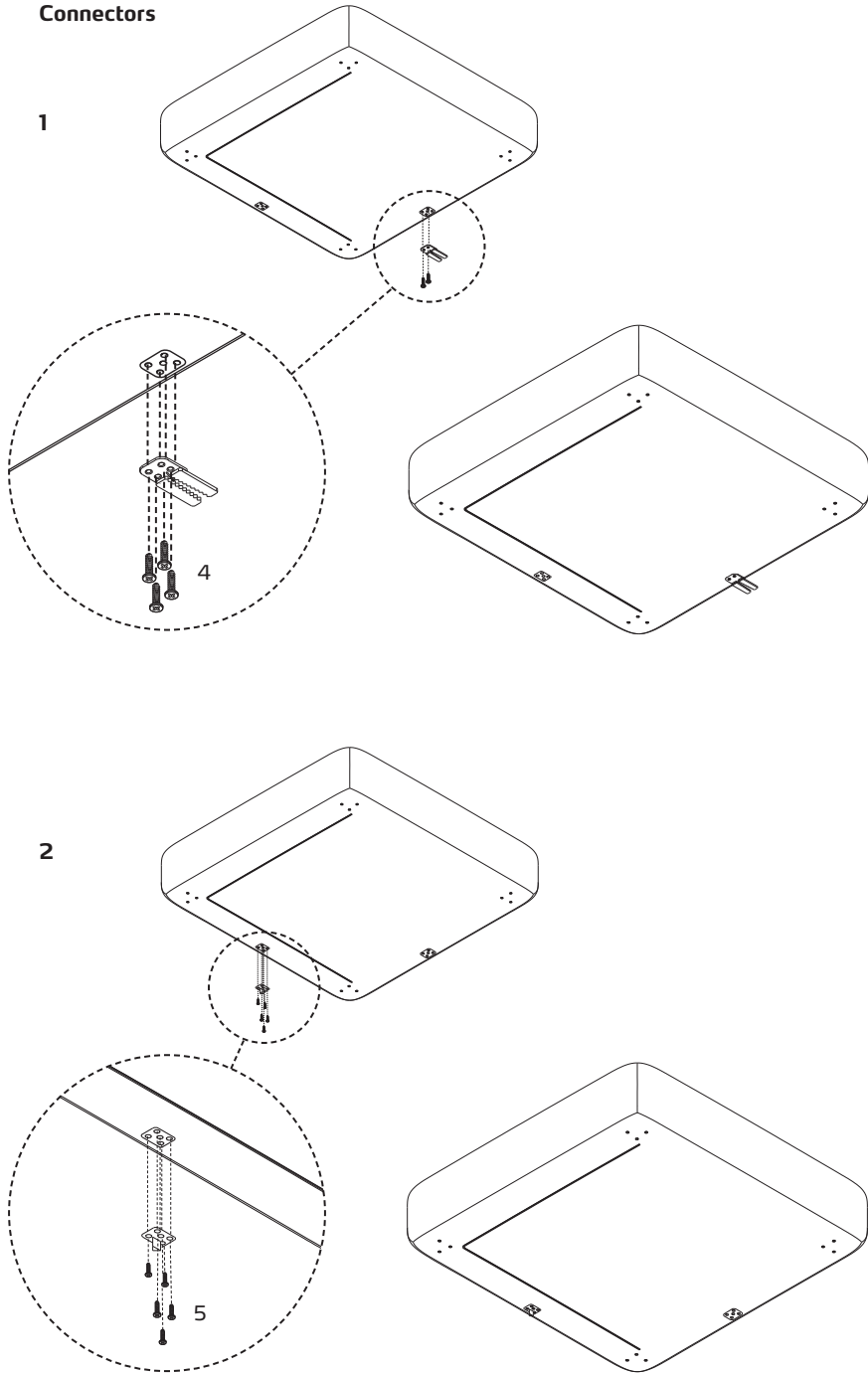
Right of complaint in accordance with applicable legislation. No right of complaint in the case of damage caused by using the products in any way other than for its intended use, or caused by incorrect handling, normal wear, inadequate or incorrect maintenance or incorrect repairs as well as tampering with the products by unauthorised persons. Remember to retain the receipt/invoice as it must be produced in the event of a complaint. Please contact the shop where the product was purchased. Errors and omissions excepted.

Eva Solo A/S

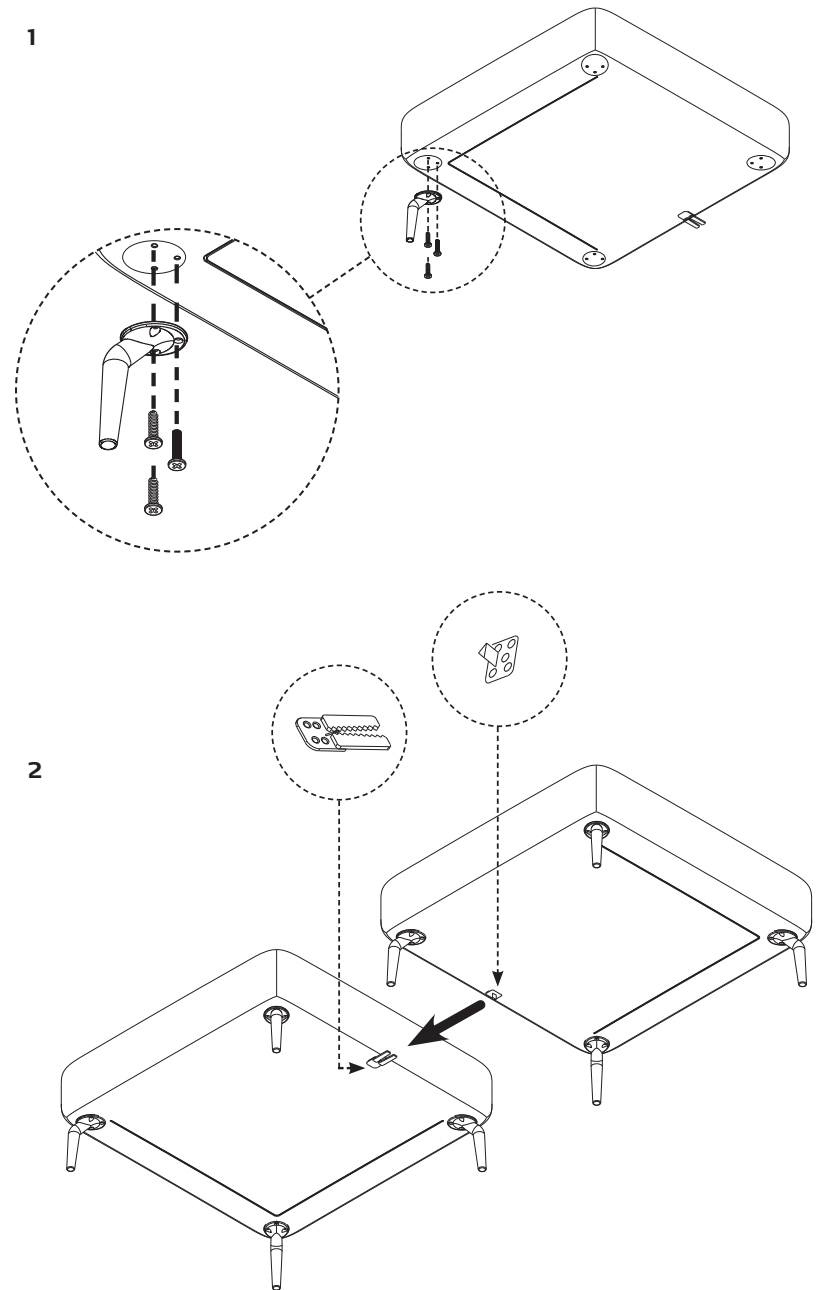
Måløv Teknikerby 18-20
2760 Måløv
Denmark
Tel.: +45 36 73 20 60
www.evasolo.com



Connectors

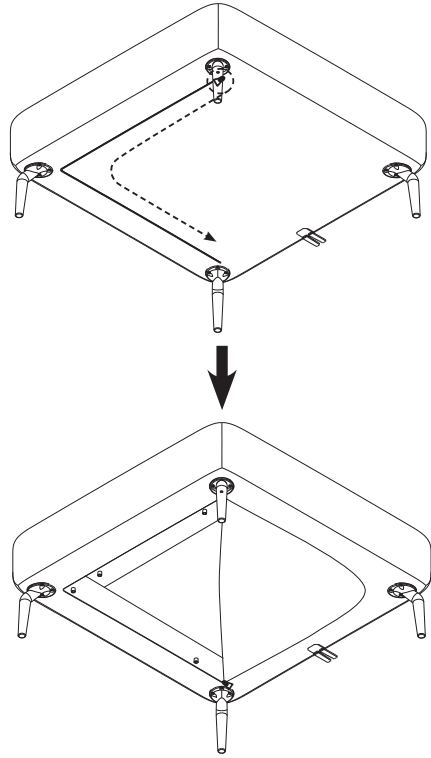


Legs

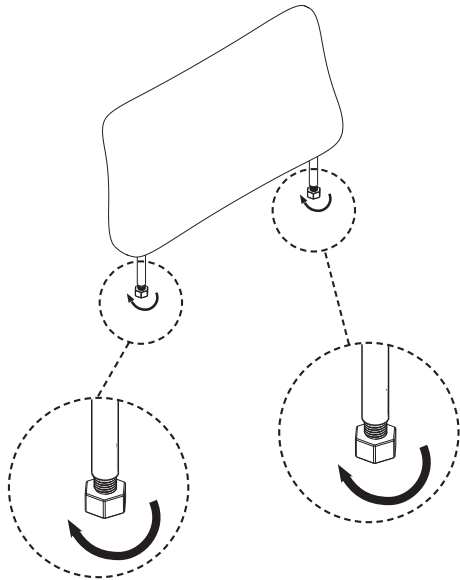


Pillows

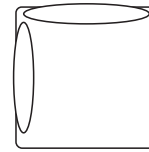
1



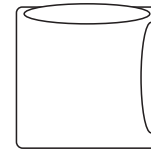
2



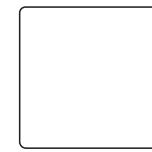
Overview of modules



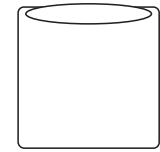
Corner left
High and low
armrest



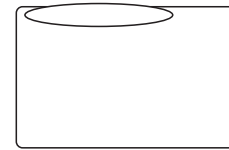
Corner right
High and low
armrest



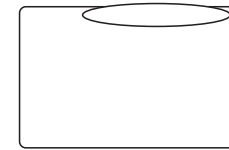
Seat



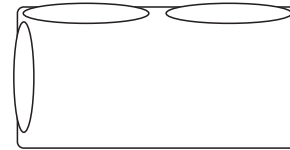
Single



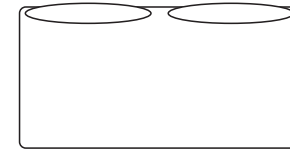
End right



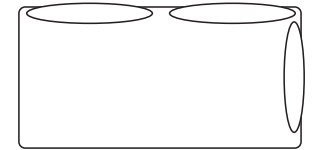
End left



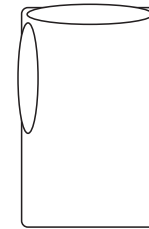
Double left
Low armrest



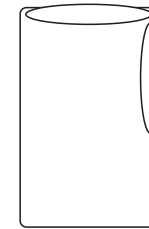
Double



Double right
Low armrest



Chaise Longue
left
Low armrest



Chaise Longue
right
Low armrest